



TECHNICAL SPECIFICATIONS LA128

DESCRIPTION

A dedicated subwoofer with 2x 18-in transducers in a vented trapezoidal enclosure.

APPLICATIONS

The LA128 subwoofer is engineered to complement the LA Series full range systems. Recessed cups on the top accept the footpads of an LA325 or another LA sub. For maximum LF extension, use properly configured MX Series processors. Optional caster pallet. Six year warranty.

Applications include:

- Ballroom Events
- Corporate Events
- Band PA

DESCRIPTIVE DATA

Part Number	999432
Product Group	L
Components & Loading	2x 18-in, Vented
System Configuration	Dedicated Subwoofer
Recommended High-Pass Frequency (24 dB/Octave)	25Hz
Cabinet Type (shape)	Trapezoidal with arched (radiused) grill
Enclosure Materials	Baltic birch
Finish	Black catalyzed polyurethane
Connectors	2x Neutrik NL4 Speakon
Grill	Vinyl coated perforated steel
Options	CP118 Caster Pallet (255011)

NOMINAL DATA

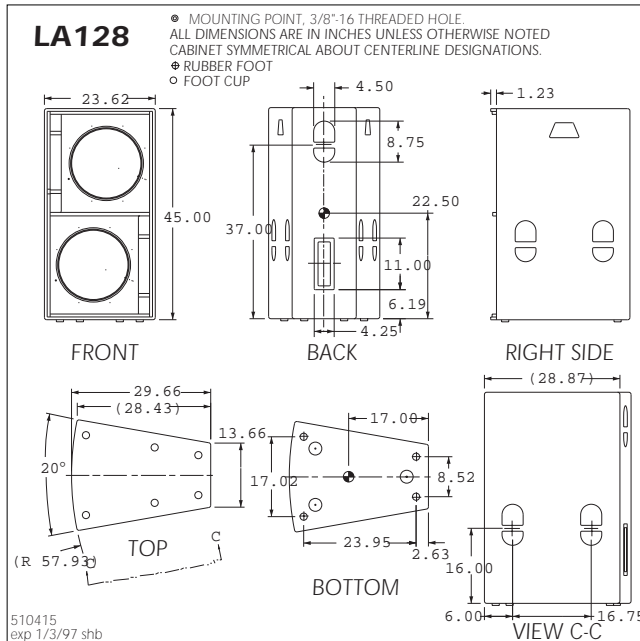
Frequency Response (Hz)		
±3 db	31Hz (40Hz w/out CCEP)	200Hz
-10 dB	25Hz (27Hz w/out CCEP)	
Axial Sensitivity (dB SPL/1 Watt/1m)		
	98	
Impedance (Ohms)		
	4	
Power Handling (Watts)		
AES Standard	1600	
Calculated Maximum Output (dB SPL, @ 1m)		
Peak	135.0	
Long Term	129.0	
Dimensions		
	inches	millimeters
Height	45.00	1143
Width (Front)	23.63	600
Width (Rear)	13.66	347
Depth	29.66	753
Trapezoid Angle	10 degrees per side	
Weights		
	pounds	kilograms
Net Weight	176	80.1
Shipping Weight	183	83.3





TECHNICAL SPECIFICATIONS LA128

DIMENSIONAL DRAWING



SERVICE ITEMS

Sub: Complete Cone Driver

EAW Part No. (2) 804064

ARCHITECTURAL SPECIFICATIONS

The sub bass loudspeaker systems shall incorporate 2x 18-in LF transducer mounted in a vented enclosure tuned for optimum low frequency response.

System frequency response shall vary no more than ± 3 dB from 31 Hz to 200 Hz measured on axis using appropriate signal processing. The loudspeaker shall produce a Sound Pressure Level (SPL) of 98 dB SPL on axis at 1 meter with a power input of 1 Watt, and shall be capable of producing a peak output of 135 SPL on axis at 1 meter. The loudspeaker shall handle 1600 Watts of amplifier power (AES Standard) and shall have a nominal impedance of 8 Ohms.

The loudspeaker enclosure shall be trapezoidal in shape. It shall be constructed of 15mm thickness void-free cross-grain-laminated Baltic birch plywood and shall employ extensive internal bracing. It shall be finished in black catalyzed polyurethane. Input connectors shall be dual Neutrik NL4 Speakon. The front of the loudspeaker shall be covered with a vinyl coated perforated steel grill.

The sub bass loudspeaker shall be the EAW model LA128.