

Product Specification Sheet

Pacific Followspot



A compact sized, cool beam followspot with a wide choice of light sources making it the ideal choice for schools, smaller theatres and entertainment venues as well as production companies.

Features

Choice of light sources to meet the throw requirements of most venues

600W TH, 220-240V – 1000 lux at 18.5m

800W TH, 220-240V – 1000 lux at 20m

1000W TH, 220-240V – 1000 lux at 20m

1200W 80V including electronic power supply, 220-240V – 1000 lux at 23m

MSR hot restrike 575W, flicker free operation, 90-240V – 1000 lux at 39m

Cool beam and all the operational advantages of Selecon's Pacific heat management technology.

Adjustable iris diaphragm with black out and protective guard.

Braced yoke and platten spigot ensures smooth operation of the followspot.

The yoke balance point can be adjusted to suit the operator's requirements.

NO Fans, other than that required for the MSR power supply.

Ergonomic guide handles which position the hand for easy operation of the iris and colour changer.

Ease of maintenance – slide out iris; top panel slide access to lens; removable lamp module and wiring.

Order Codes

18PACFS/6

Pacific Followspot 600W/800W TH

18PACFS/1

Pacific Followspot 1000W TH

18PACFS80V

Pacific Followspot 1200W 80V power supply

18PACFSMSR

Pacific Followspot – MSR Hot Restrike with universal power supply

18PACFCCH

4-colour changer

19PACFSGH

Pattern holder – A size

STDFS

Pacific Followspot stand

20SFCF2020

Additional colour frame

Approvals

Compliant to CE standards.

Photometric Data

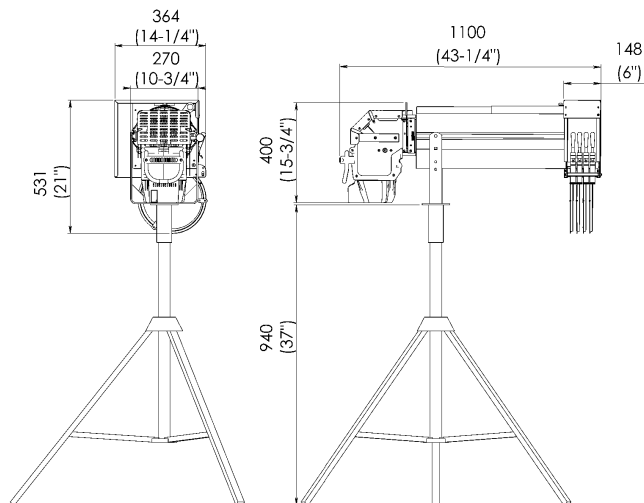
Tests conducted using standard Phillips lamps.

		Beam Diameter in m									
Beam angle	7.5	0	0.8	1.3	2.0	2.6	3.3	3.9	4.6	5.2	5.9
Beam angle	19	0	2.0	3.3	5.0	6.7	8.4	10.0	11.7	13.4	15.1
Throw Distance in metres		0	6	10	15	20	25	30	35	40	45
		Light Output in Lux									
240V GKV 600W	7.5°	Peak	9600	3456	1536	864	553	384	282	216	171
		Flat	9600	3456	1536	864	553	384	282	216	171
	19°	Peak	4650	1674	744	419	268	186	137	105	83
		Flat	1750	630	280	158	101	70	51	39	31
240V GKV 800W	7.5°	Peak	11400	4104	1824	1026	657	456	335	257	203
		Flat	11400	4104	1824	1026	657	456	335	257	203
	19°	Peak	5750	2070	920	518	331	230	169	129	102
		Flat	2760	994	442	248	159	110	81	62	49
240V BP 1000W	7.5°	Peak	11120	4003	1779	1001	641	445	327	250	198
		Flat	11120	4003	1779	1001	641	445	327	250	198
	19°	Peak	5700	2052	912	513	328	228	168	128	101
		Flat	3050	1098	488	275	176	122	90	69	54
80V 1200W	7.5°	Peak	15420	5551	2467	1388	888	617	453	347	274
		Flat	15420	5551	2467	1388	888	617	453	347	274
	19°	Peak	8050	2898	1288	725	464	322	237	181	143
		Flat	6000	2160	960	540	346	240	176	135	107
MSR 575 / 2	7.5°	Peak	51500	18540	8240	4635	2966	2060	1513	1159	916
		Flat	51500	18540	8240	4635	2966	2060	1513	1159	916
	19°	Peak	19700	7092	3152	1773	1135	788	579	443	350
		Flat	7500	2700	1200	675	432	300	220	169	133
MSR 575W HR	7.5°	Peak	42100	15156	6736	3789	2425	1684	1237	947	748
		Flat	42100	15156	6736	3789	2425	1684	1237	947	748
	19°	Peak	17700	6372	2832	1593	1020	708	520	398	315
		Flat	7500	2700	1200	675	432	300	220	169	133

Physical Data

Luminaire Weight: 19.25kg **Stand Weight:** 5.9kg **Colour Changer Weight:** 3.8kg

Included: adjustable iris; front and rear guide handles; braced yoke and single colour frame.



Philips Selecon reserves the right to change the specifications without notice (October 2011).